



FIESTA RESIDENCES

BOUTIQUE HOTEL & SERVICED APARTMENTS

*Indulgent Home Comforts to
Embrace Your Individuality*



CONFERENCE PACKAGES

2017

Preferred[™]
SERVICED RESIDENCES

MEETINGS & CONFERENCE PACKAGES

GOLD FULL-DAY PACKAGE

A minimum delegate rate of \$75 is inclusive of:

- Room Hire
- Standard meeting equipment and stationary (flip chart and markers, pens and notepads)
- Mineral water and mint
- Welcome Coffee/Tea/Juices
- Morning and Afternoon coffee break (Tea, coffee, Juices and three snack items)
- Set menu Lunch (Three course meal with soft drink and water)

SILVER HALF-DAY PACKAGE

A minimum delegate rate of \$65 is inclusive of:

- Room Hire
- Standard meeting equipment and stationary (flip chart and markers, pens and notepads)
- Mineral water and mint
- Welcome Coffee & Tea
- Morning or Afternoon coffee break (Tea, coffee, Juices and three snack items)
- Set menu Lunch (Three course meal with soft drink and water)

BRONZE HALF-DAY PACKAGE

A minimum delegate rate of \$35 is inclusive of:

- Room Hire
- Standard meeting equipment and stationary (flip chart and markers, pens and notepads)
- Mineral water and mint
- coffee break (Tea, coffee, Juices and three snack items)

MEETINGS & CONFERENCE PACKAGES

NOTES

Full day 8am to 5pm (or maximum of 8 hours)

Half day 8am to 12 noon (or maximum of 4 hours)

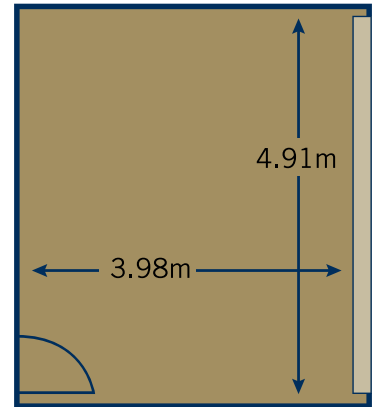
- All extra hours will be charged
- Projector use charge at \$100 per day
- Prices are applicable to a minimum of 5 delegates
- Room hire charge at \$150 per day

Please note that the above mentioned prices include VAT and NHIL. All prices are subject to change without notice. If payable in Ghana cedis, the hotel rate of exchange is applicable.

CONFERENCE VENUE

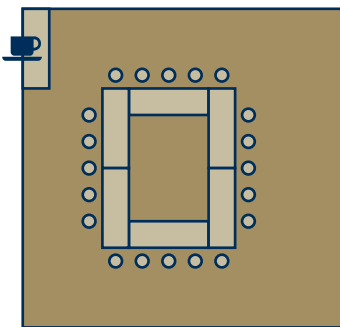
The hotel offers a board room style air-conditioned conference venue. The venue can seat 8 guests comfortably for meetings, trainings or presentations.

Laptops are available at an extra charge.

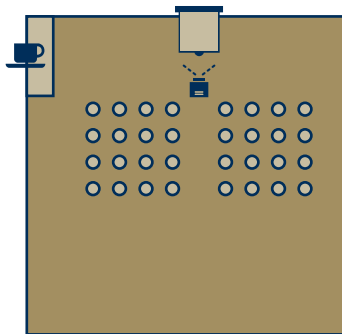


CONFERENCE VENUE LAYOUTS

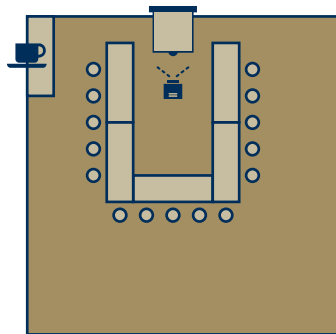
BOARDROOM SETUP
20 PERSON CAPACITY



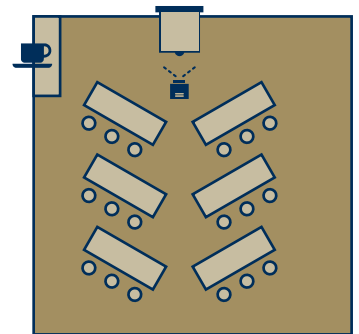
CINEMA STYLE SETUP
32 PERSON CAPACITY



U-SHAPE SETUP
15 PERSON CAPACITY



CLASSROOM SETUP
18 PERSON CAPACITY



COFFEE/TEA TABLE



PROJECTOR



SCREEN





DIRECTIONS

From Kotoka International Airport, Ghana to Fiesta Residences

- Head north toward Airport Rd and continue straight for approx. 550 m
- Turn left onto airport road
- At the roundabout take the 2nd exit and stay on Airport Road
- Turn left into Liberation Road
- Continue on Liberation Road for approx. 1.3 km
- Turn left onto Jawaharlal Nehru Road
- Take the 1st right onto Fifth Avenue Extension
- Proceed to Fiesta Residences entrance

GPS co-ordinates:
N 5° 34' 30.897" E 0° 11' 6.734"

GDS codes: Chain Code PH; Amadeus ACCFYH; Sabre 227202; Galileo/Apollo A9431; Worldspan ACCFY; Pegasus ADS /Travelweb 62706